

2/2

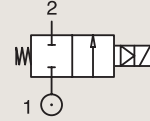
VALVES FOR WATER AND NEUTRAL LIQUIDS

PILOT OPERATED

BRASS

PIPE MOUNTING

NORMALLY CLOSED



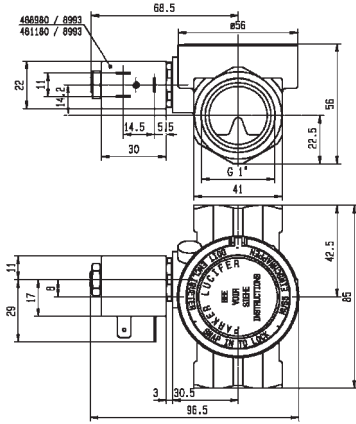
Port size (BSP)	Orifice Ø mm	Flow factors			Operating Pressure Differential Max(MOPD)			Fluid Temp.		Seat Seal	Valve Ref.	Housing Ref.	Coil Ref.	Power		Coil Group	Dwg. No.
		Kv l/min	KV m³/h	Qn m³/h	Min bar	AC bar	DC bar	Min °C	Max °C					AC W	DC W		
1"	18	110	6.6	10150	0.3	10	10	-10	100	NBR	321K37	8993	481180	4	5	1.1	7098
	18	110	6.6	10150	0.3	10	7	-10	75	NBR	321K37	8993	488980	2	2.5	1.1	7098
	18	110	6.6	10150	0.3	12	12	-10	100	FKM	321K4706	2995	481865	8	9	2.1/3.0	7100
	18	110	6.6	10150	0.3	12	12	-10	120	FKM	321K4706	4270	481000	8	8	2.1/3.0	7100
	18	110	6.6	10150	0.3	12	12	-10	100	FKM	321K4756 ₂	2995	481865	8	9	2.1/3.0	7100
	18	110	6.6	10150	0.3	12	12	-10	120	FKM	321K4756 ₂	4270	481000	8	8	2.1/3.0	7100
	25	180	10.8	14000	0.3	16	16	-10	100	NBR	E321G37	2995	481865	8	9	2.0	3442
1 1/4"	25	180	10.8	14000	0.3	16	16	-10	100	NBR	E321G37	4270	481000	8	8	2.0	3442
	28	270	16.2	18000	0.3	16	16	-10	100	NBR	E321G38	2995	481865	8	9	2.0	3442
1 1/2"	28	270	16.2	18000	0.3	16	16	-10	100	NBR	E321G38	4270	481000	8	8	2.0	3442
	40	420	25.2	31500	0.3	16	7	-10	100	NBR	E321G39 ₁	2995	481865	8	9	2.0	3442
2"	40	420	25.2	31500	0.3	16	8.5	-10	100	NBR	E321G39 ₁	4270	481000	8	8	2.0	3442
	40	420	25.2	31500	0.3	16	16	-10	100	NBR	E321G39 ₁	4270	486265	14	14	2.0	3442
	40	540	32.4	40000	0.3	16	7	-10	100	NBR	E321G40 ₁	2995	481865	8	9	2.0	3442
	40	540	32.4	40000	0.3	16	8.5	-10	100	NBR	E321G40 ₁	4270	481000	8	8	2.0	3442
	40	540	32.4	40000	0.3	16	16	-10	100	NBR	E321G40 ₁	4270	486265	14	14	2.0	3442

Notes:

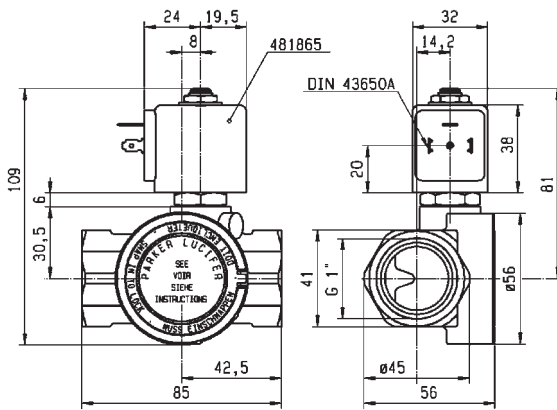
- 1.Pilot seat disc in synthetic Ruby
- 2.With manual override



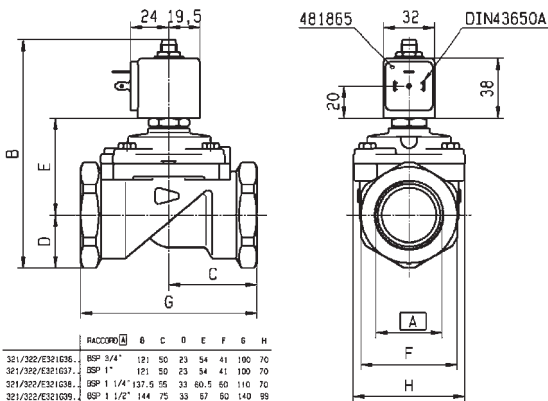
For this page	Port size	Orifice (mm)	Kv (l/min)	MOPD (bar)	Fluid Temp (°C)
From	1"	18	110	7	-10
To	2"	40	540	16	120



Drawing 7098



Drawing 7100



Drawing 3442

	RACCORD	G	C	D	E	F	G	H
321/232/E321G36	BSP 3/4"	121	50	23	54	41	100	70
321/332/E331G37	BSP 1"	151	50	23	54	41	100	70
321/332/E331G38	BSP 1 1/4"	137	55	33	60,5	60	110	70
321/332/E331G39	BSP 1 1/2"	144	75	33	87	60	140	59
321G396/G396	UNF 1 7/8"	144	75	33	87	60	140	59
U321A/G320G40...	BSP 2"	158,5	80	41,5	73	75	150	99